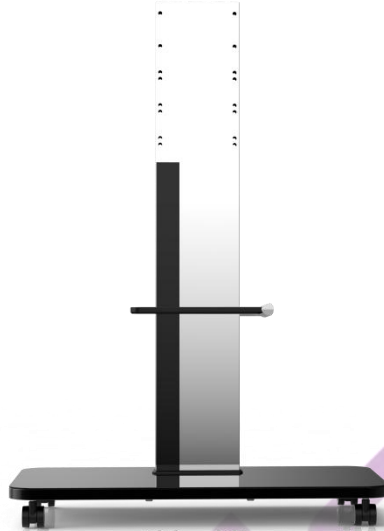
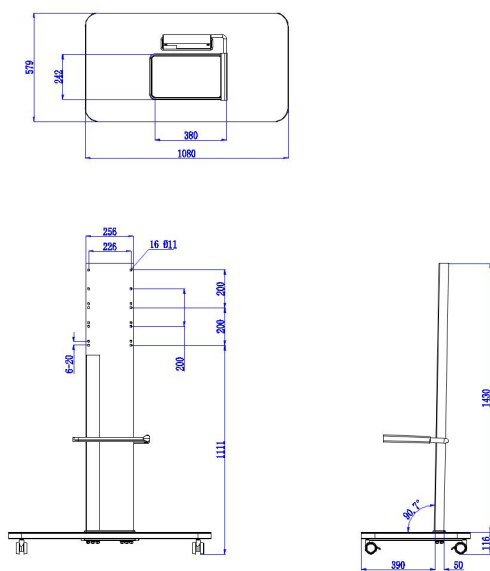


Product Model: Mobile Base for Flat-panel Display HK76G2



Specifications

Mounting Hole distance: 226×200mm	
Size of display/TV to be mounted: 65"-86"	
Max. Load bearing: 200KG	
Product Size: 1546*1080*579mm	
Package Size: 1590*690*150mm	
Net Weight: 30.7±1KG	
Gross Weight: 35Kg±1Kg	
Color: Black & Silver	
Material: High quality carbon steel & Tempered glass	
The castors are 2.5-inch with foot brake	